

### General Features

**MAXIMUM LOAD:** 65 kg (143 lbs)

**DISPLAY COMPATIBILITY:** Supports Displays with mounting hole configurations: from 150mm to 805 wide (6" to 31.75") and 140mm to 500mm high (5.5" to 19.75").

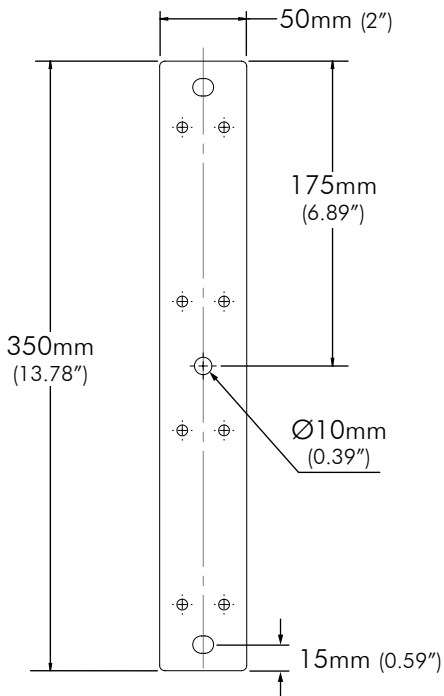
**FASTENERS:** All fasteners included.

**WARRANTY:** Limited 10 years (parts and workmanship).

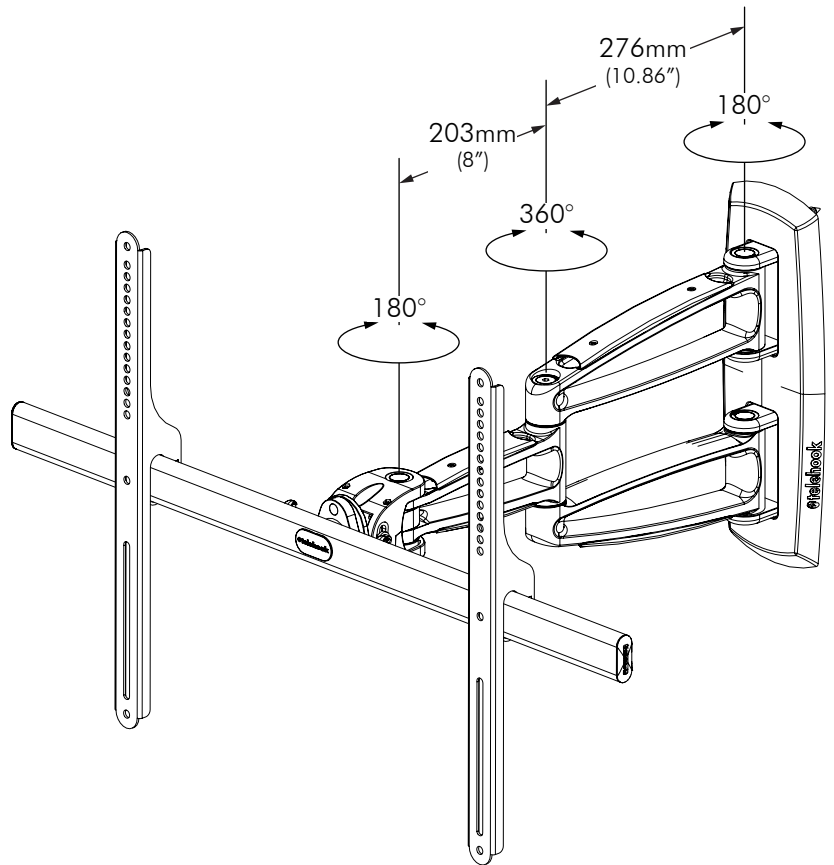
### Dimensions

#### Mounting Plate

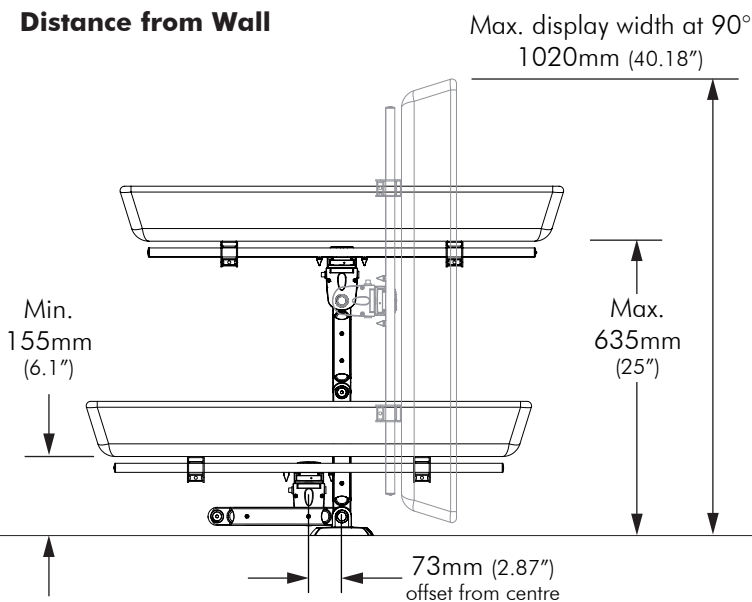
- The Wall Bracket is to be installed vertically.
- The Wall Bracket can be mounted to either: Timber Stud Wall, or Masonry Wall



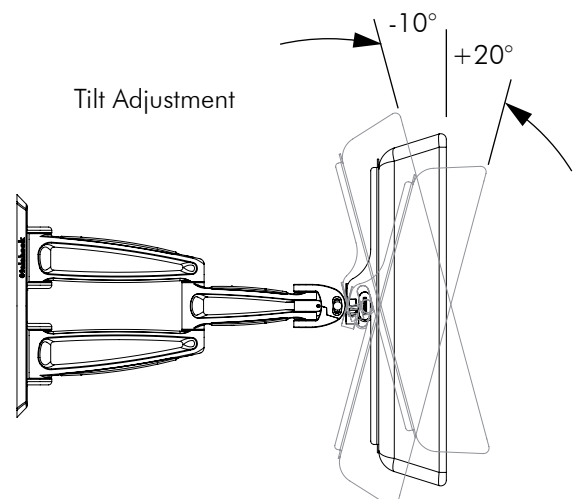
#### Articulated Arm Range of Movement



#### Distance from Wall



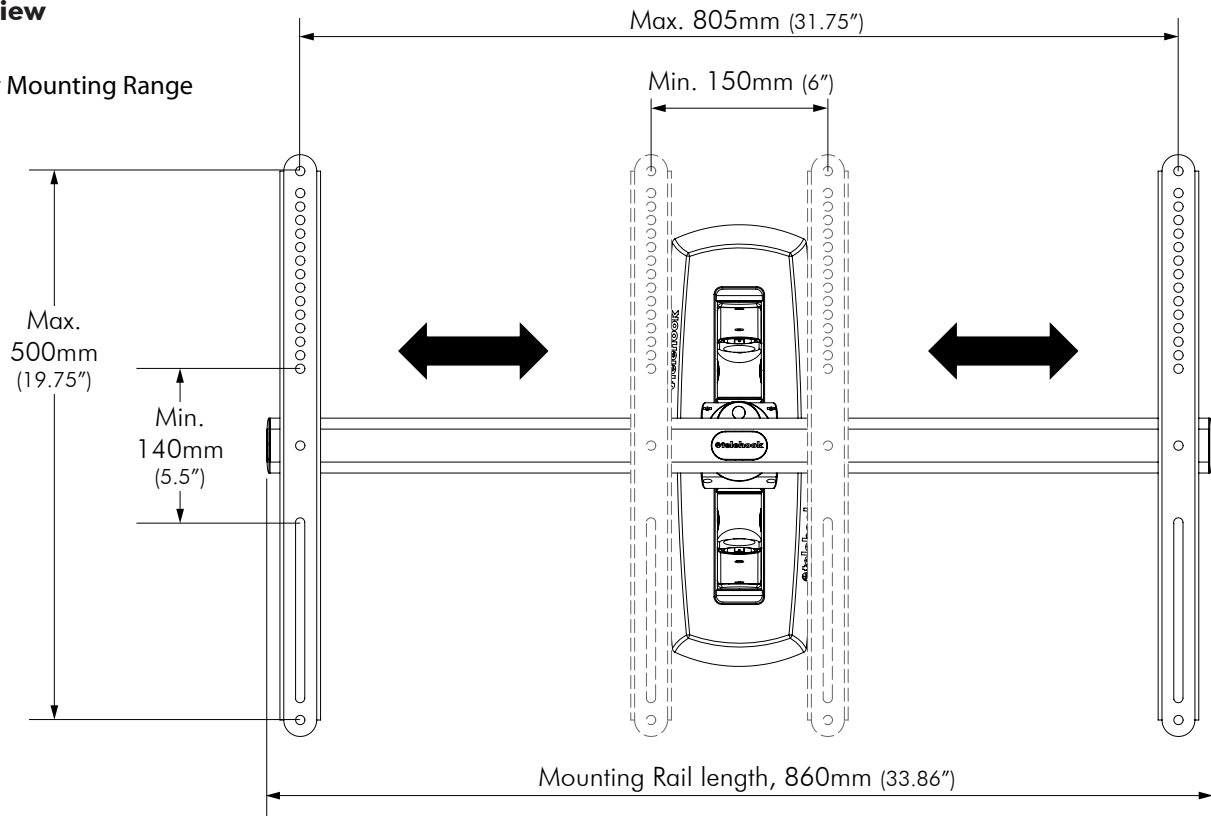
#### Side View



## Dimensions (continued)

### Front View

Display Mounting Range



### Horizontal Range of Movement

